

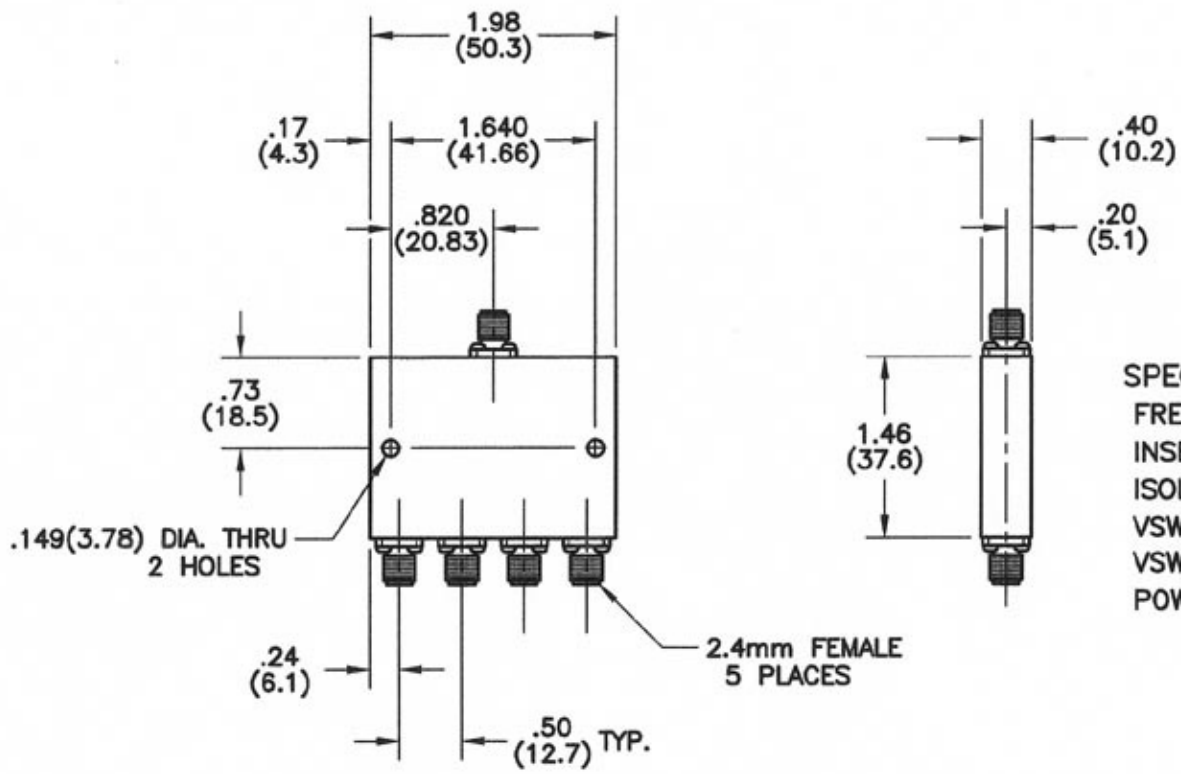
4

3

2

1

REVISIONS				
REV	ZONE	DESCRIPTION	DATE	BY ECO



**SPECIFICATIONS:**  
 FREQUENCY RANGE: 8.0 - 12.4 GHz  
 INSERTION LOSS: 0.8 dB MAX.  
 ISOLATION: 18 dB MIN.  
 VSWR (COMMON PORT): 1.45:1 MAX.  
 VSWR (OUTPUT PORTS): 1.35:1 MAX.  
 POWER RATING: 30 WATTS AVG., WITH LOAD  
 VSWR OF 1.20:1 MIN.

DIMENSIONS: INCHES  
(MILLIMETERS)

CONTACT: MICROWAVE DEVICES - 1150 N. GRAHAM RD.  
(517) 736-8833 FRANKLIN, IN 46131

TOLERANCES		THE INFORMATION CONTAINED IN THIS DOCUMENT IS THE PROPERTY OF MICROWAVE DEVICES, INC. AND IS PROPRIETARY. IT IS NOT TO BE COPIED OR USED FOR ANY PURPOSE OTHER THAN AS INSTRUCTED, IN WRITING, BY MICROWAVE DEVICES, INC.
DEC.XX ± .03	FRAC ±	
.XXX ± .010	ANG ±	
MATERIAL		
FINISH		SIGNATURES
DR	G.V.Cothren	DATE
CHK		2-18-07
APPD		
APPD		

<b>MICROWAVE DEVICES</b> <small>(RF and Microwave Components)</small>		
OUTLINE, 4PD10.0-24 4 WAY POWER DIVIDER		
CAGE	SIZE	DRAWING NO.
60674	B	900649-3
DRAWING SCALE 1=1		SHEET 1 OF 1

4

3

2

1